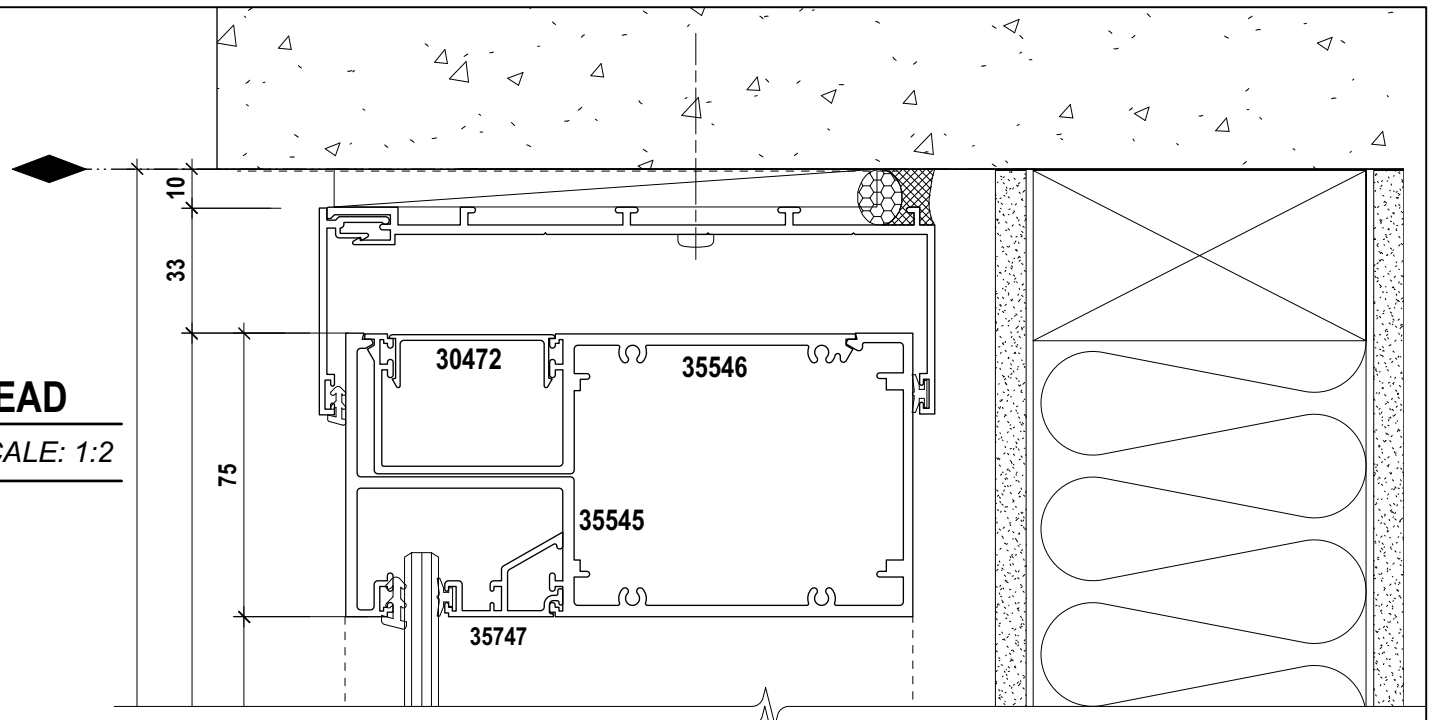
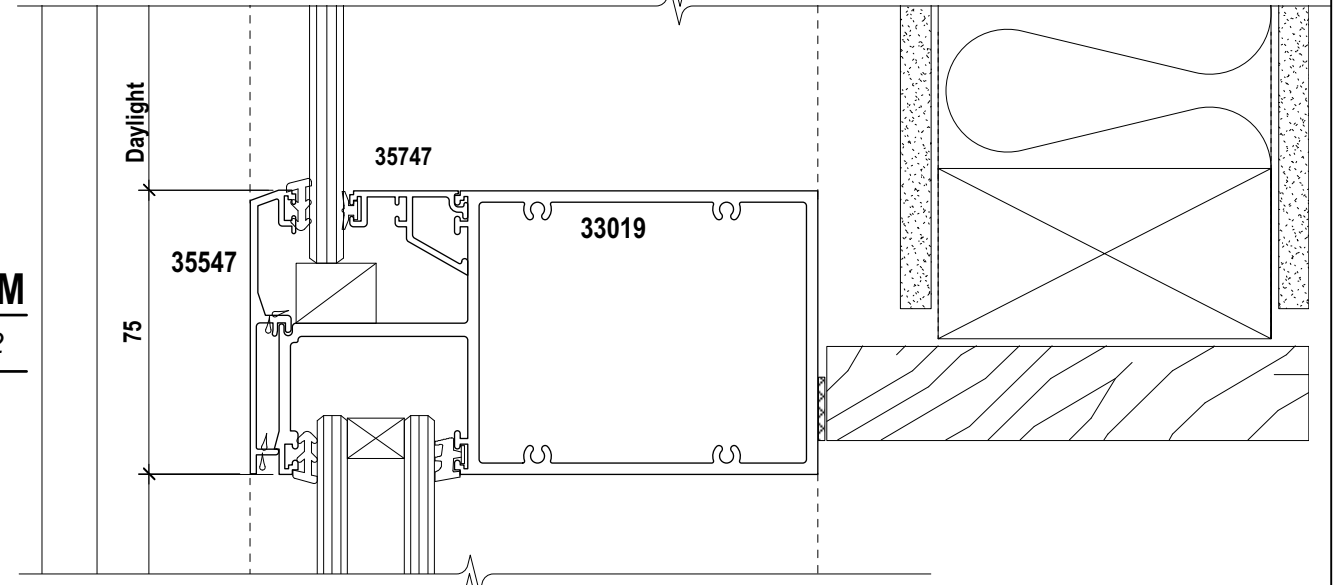


ELEVATION

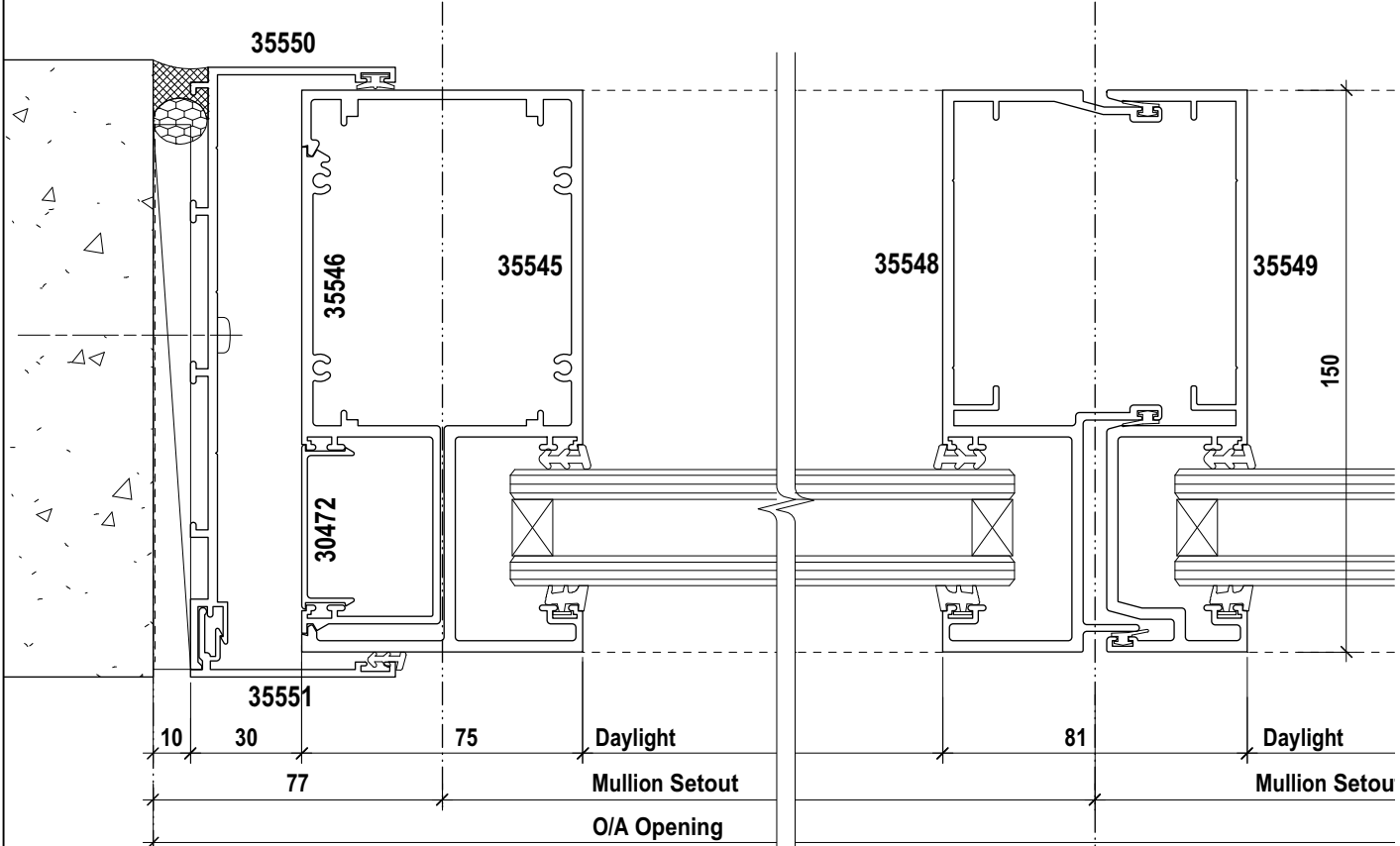
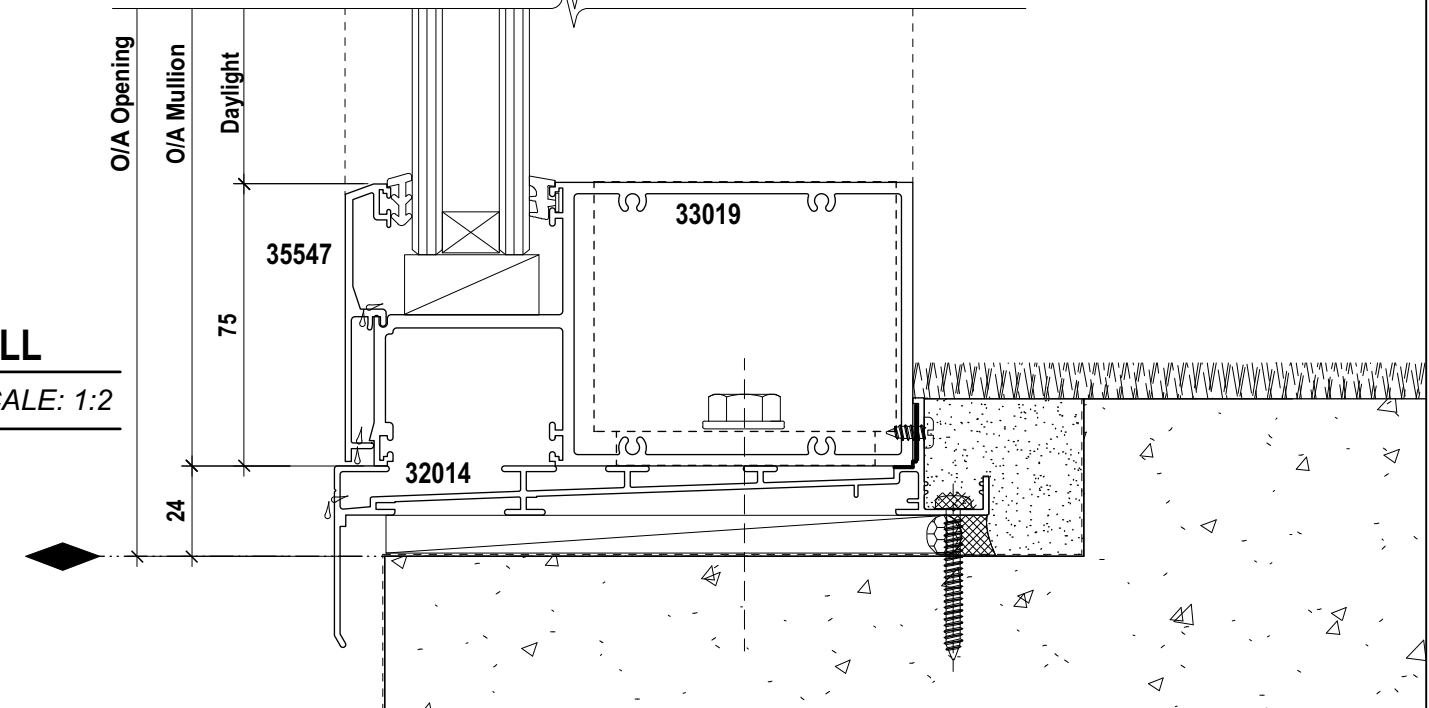
DETAIL 01 HEAD
150-01 SCALE: 1:2



DETAIL 02 TRANSOM
150-02 SCALE: 1:2



DETAIL 03 SILL
150-01 SCALE: 1:2



DETAIL 04 JAMB
150-01 SCALE: 1:2

DETAIL 05 MULLION
150-01 SCALE: 1:2