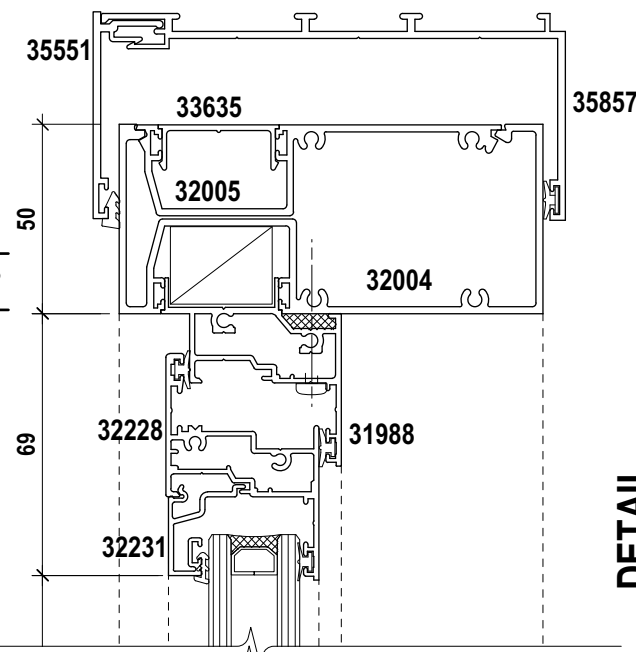
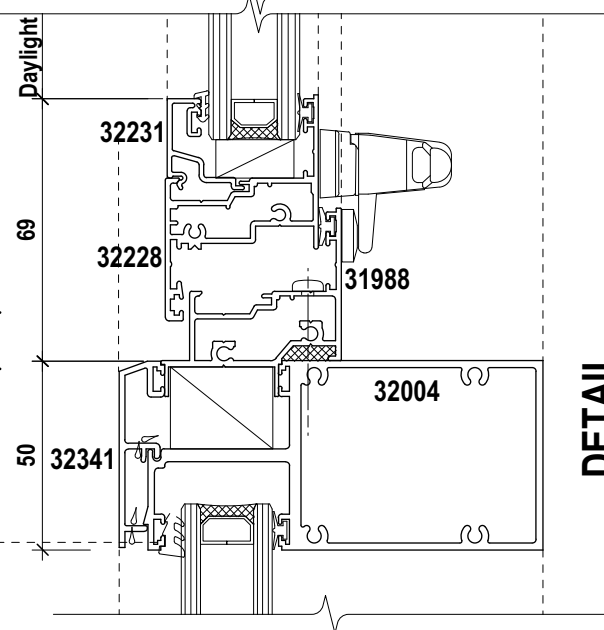


ELEVATION

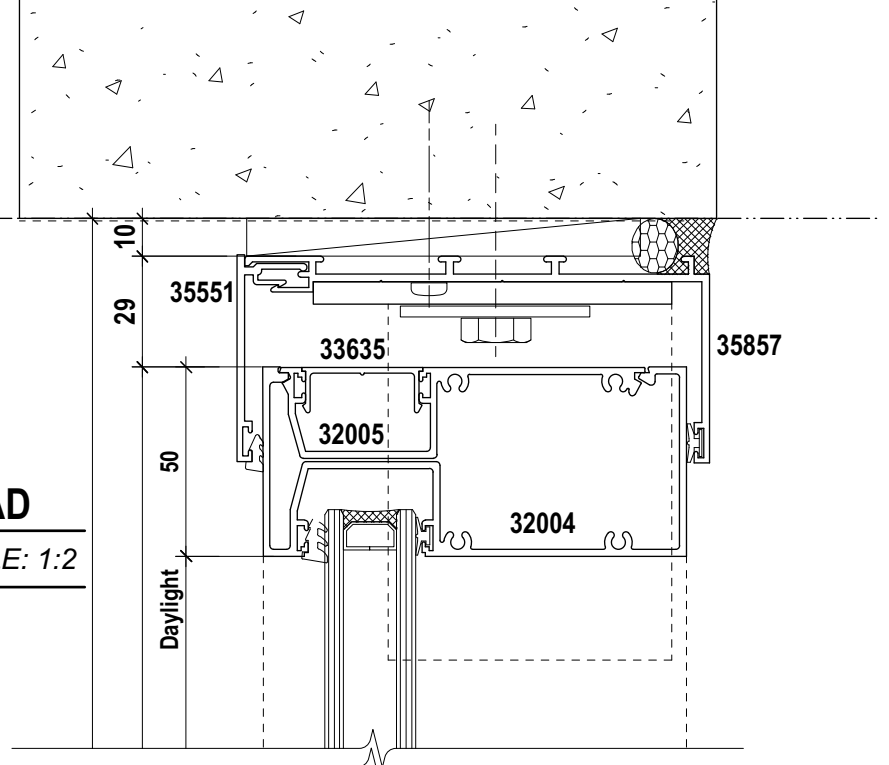
DETAIL 06 HEAD
112-01 SCALE: 1:2



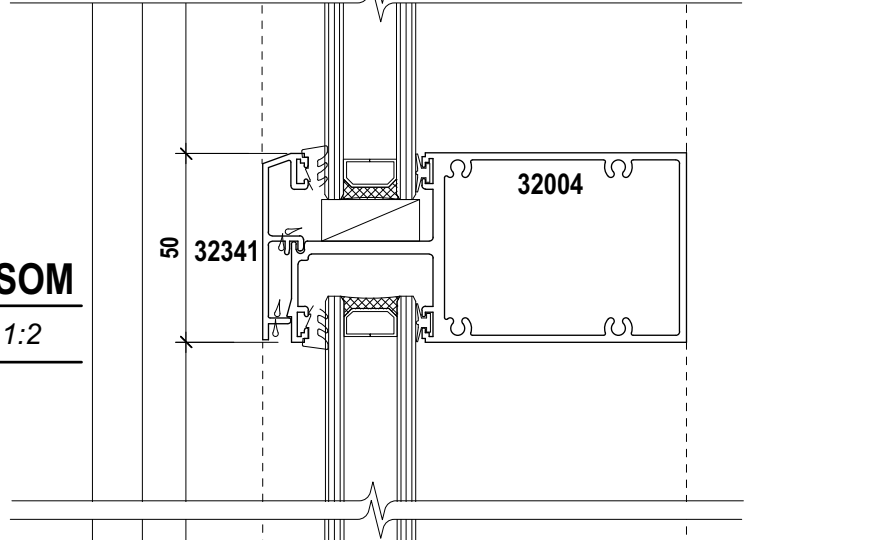
DETAIL 07 TRANSOM
112-01 SCALE: 1:2



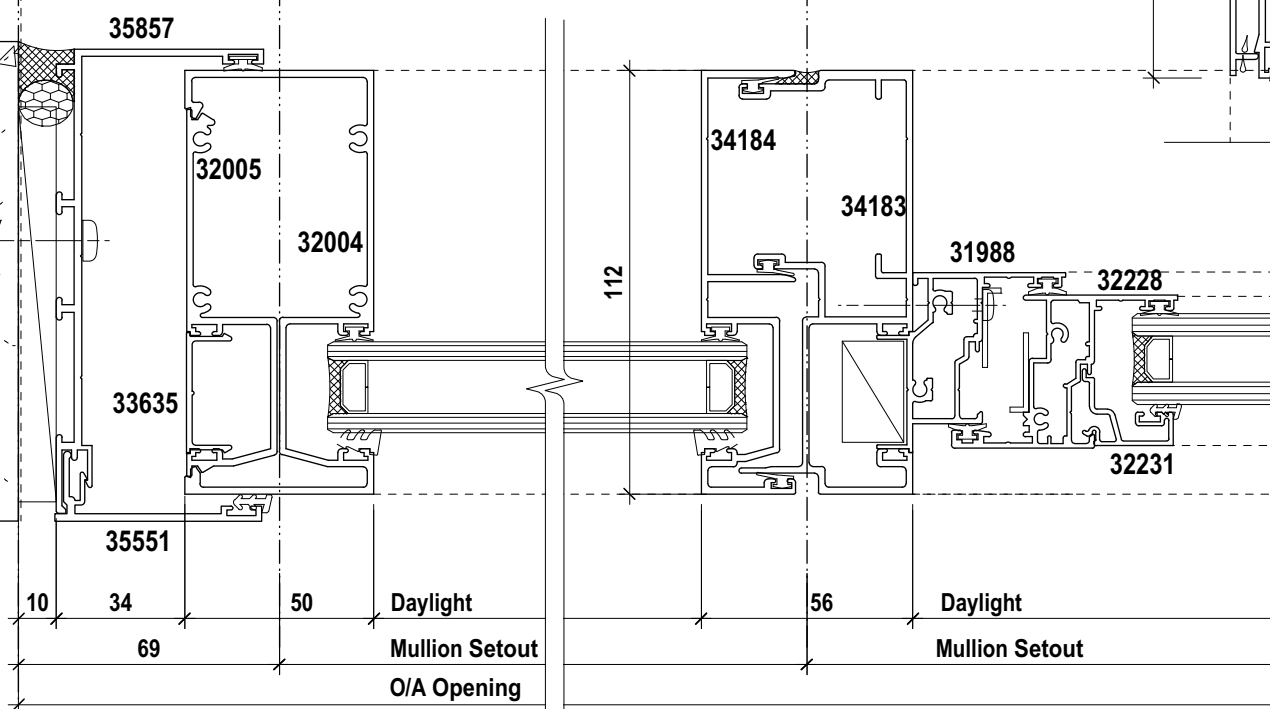
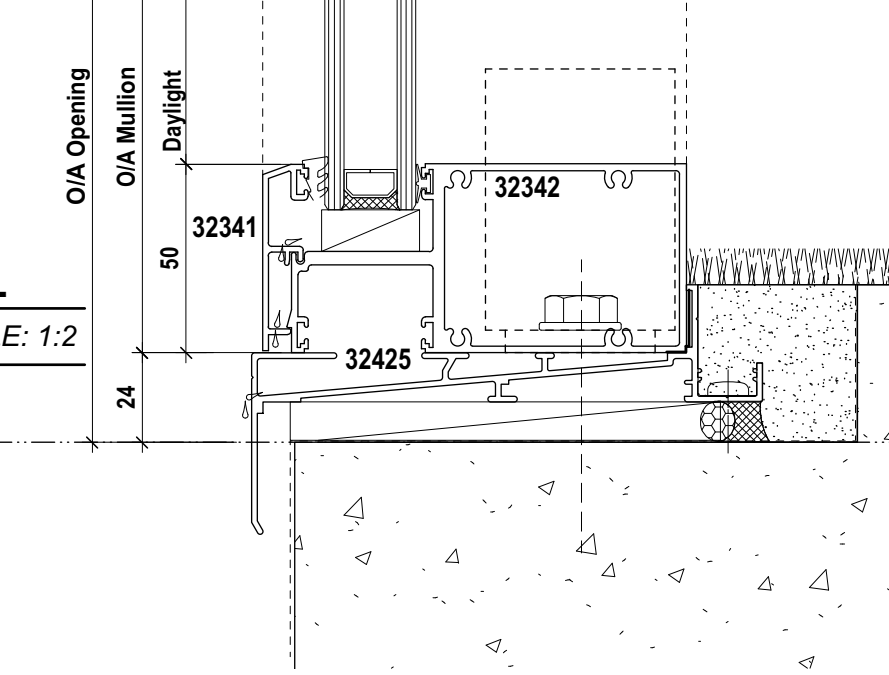
DETAIL 01 HEAD
112-01 SCALE: 1:2



DETAIL 02 TRANSOM
112-01 SCALE: 1:2



DETAIL 03 SILL
112-01 SCALE: 1:2



DETAIL 04 JAMB
112-01 SCALE: 1:2

DETAIL 05 MULLION
112-01 SCALE: 1:2